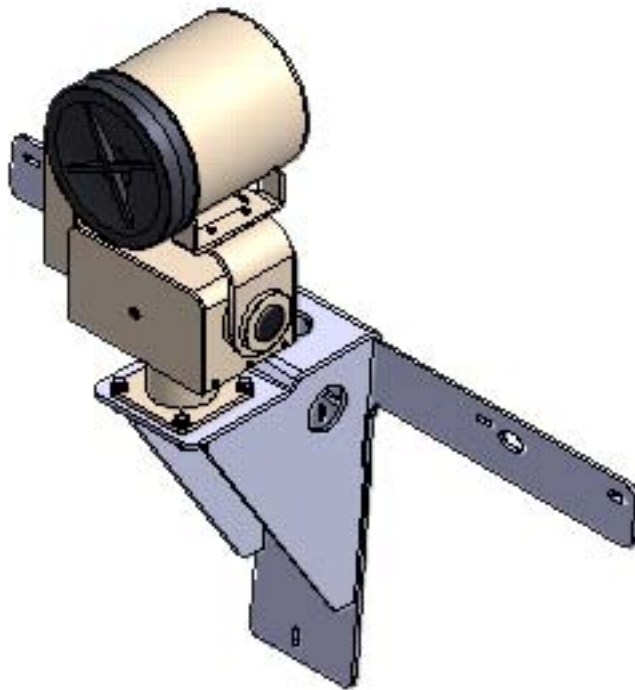


MIK-34 – Thermal Imager Camera Mount



Installation Manual

Information and descriptions contained in this manual are the property of McDowell Research, an Ultralife Company. Distribution and/or reproduction in part or in whole are expressly forbidden without written consent.

Copyright © 2006 McDowell Research, an Ultralife Company
All Rights Reserved.

300 SOUTH 8th STREET,
WACO, TX 76701
Phone: (254) 752-1411 FAX (254) 752-1812
E-mail: info@mcdowellresearch.com
www.mcdowellresearch.com

CONTENTS

Chapter 1 – General Information

1.1	Scope	3
1.2	Equipment Provided	3
1.3	Important Safety Instructions	4

Chapter 2 – Installation Instructions

2.1	Installation	4
-----	--------------	---

Chapter 3 Maintenance

3.1	Dirt and Dust	4
3.2	Oils and Grease	4
3.3	Corrective Maintenance	5
3.4	Warranty Maintenance	5
3.5	Contact Information	5

1.1 **Scope**

This manual has been prepared by McDowell Research for the purpose of providing the user information necessary to understand and maintain the MIK-34 Thermal Imager Camera Mount.

- **Chapter 1 – General Information**

- This chapter provides safety and important information about the MIK-34

- **Chapter 2 – Installation**

- This chapter provides information necessary for installing the MIK-34.

- **Chapter 3 – Maintenance**

- This chapter provides information regarding MIK-34 preventive care and corrective maintenance procedures.

1.2 **Components**

The MIK-34 consists of all the parts necessary for the installation of the Thermal Imager Camera Mount. The unit consists of the following subassemblies:

- MIK-34 Thermal Imager Camera Mount

1.3 Important Safety Instructions

- A. This manual contains important safety and operating instructions for the MIK-34 Thermal Imager Camera Mount.
- B. Before using the MIK-34, read all instructions and cautionary markings.
- C. Use of an attachment not recommended or sold by the manufacturer may result in risk of fire, electric shock, or personal injury.
- D. Do not place the unit in liquid or allow to accrue moisture, this may cause a malfunction of required internal equipment or cause harm to the operator and ancillary equipment.

Chapter 2 – Installation Instructions

- 2.1 Using hardware provided, attach mount
 - Below mount: Nut, followed by flat washer
 - Above mount: Flat washer, split washer, bolt

NOTE: Torque to 75.2 inch-lbs

Section 3 – Maintenance and Warranty Information

3.1 *Dirt and Dust*

All external components to the MIK-34 can be cleaned with a water dampened non-abrasive cloth and allowed to air dry or wipe dry with a clean dry non-abrasive cloth.

3.2 *Oils and Grease*

All external components of the MIK-34 can be cleaned with a mild soap/water solution dampened non-abrasive cloth.

Rinse with water dampened non-abrasive cloth and allowed to air dry or wipe dry with a clean dry non-abrasive cloth.

3.3 *Corrective Maintenance*

The MIK-34 has **NO** user serviceable parts. Units requiring corrective maintenance should be sent to McDowell Research for repair. Contact information is provided below in section 3.5.

3.4 *WARRANTY MAINTENANCE*

Warranty Statement

4 years for equipment shipped after May 1, 2004

McDowell Research warrants to its customers that the products it manufactures and sells will be free from defects in materials and workmanship for a period of four (4) years for equipment shipped after May 1, 2004.

This warranty shall not apply to any defect, failure or damage caused by improper use or inadequate maintenance and care. McDowell shall not be obligated to provide service under this warranty to repair, service, or modify these products.

In order to obtain service under this warranty, customers must return a failed unit to McDowell with a description of the failure, contact information (in case questions arise and to speed up processing of guarantee claims) and finally a return shipping address. McDowell will return any failed unit at McDowell's cost.

NOTE: THIS WARRANTY DOES NOT APPLY TO BATTERIES SUPPLIED BY MCDOWELL RESEARCH. ALL BATTERIES SUPPLIED BY MCDOWELL RESEARCH ARE WARRANTIED FOR 90 DAYS FROM SHIPMENT.

3.5 **Contact Information:**

Please call (254) 752-1411 to obtain an RMA number prior to returning any failed unit(s) to:

McDowell Research, an Ultralife Company
300 South 8th Street
Waco, Texas 76701
Phone: (254) 752-1411
Fax: (254) 752-1812

Online RMA requests can be located and submitted at:
<http://www.mcdowellresearch.com/shop/RMArequest.asp> or
service@mcdowellresearch.com